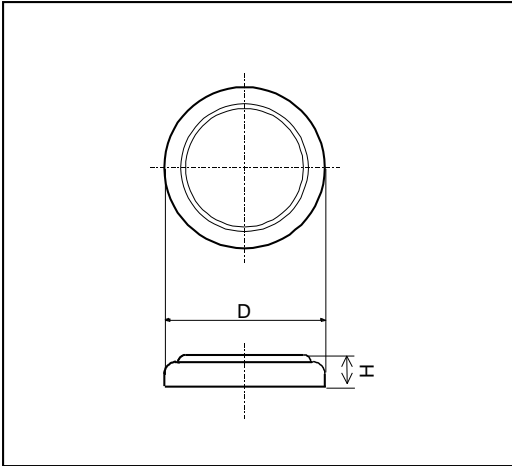


### General Specifications



Nominal Voltage (V)	3	
Nominal Capacity (mAh) <sup>*1</sup>	3.4	
Standard Charge/Discharge Current (mA)	0.015	
Max. Discharge Current (mA)	Pulse <sup>*2</sup>	1.5
Charge/Discharge Cycle Characteristics	Discharging Depth of 20%	300
Charging Method (V)	Constant Voltage Charge	2.8 ~ 3.25
Operating Temperature Range (°C)	-20 ~ +60	
Dimensions (mm)	Diameter(D)	6.8
	Height(H)	1.4
Approx. Weight (g)	0.16	

\* Expected life is 5 years at room temperature.

\* Consult with FDK when considering multiple-cell construction.

\*1 Nominal capacity is determined at an end voltage of 2.0V when the battery is allowed to discharge at a standard current level at +23 °C.

\*2 Current value for obtaining 2.0V cell voltage when pulse is applied for 15 seconds at 50% discharge depth (50% of the nominal capacity) at +23 °C.

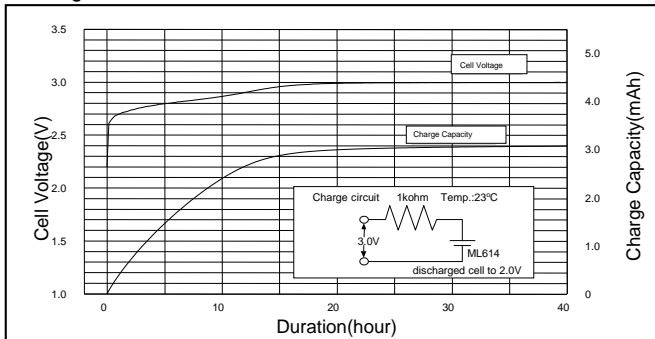
Note) Battery Handling Precautions

English) [http://www.fdk.com/battery/lithium\\_e/handling\\_precaution.html](http://www.fdk.com/battery/lithium_e/handling_precaution.html)

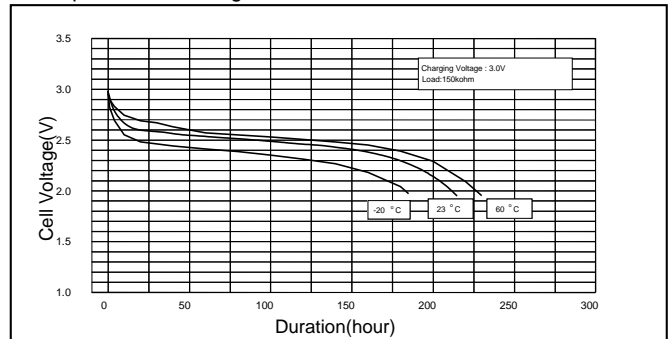
Japanese) [http://www.fdk.co.jp/battery/lithium/handling\\_precaution.html](http://www.fdk.co.jp/battery/lithium/handling_precaution.html)

### Typical Characteristics

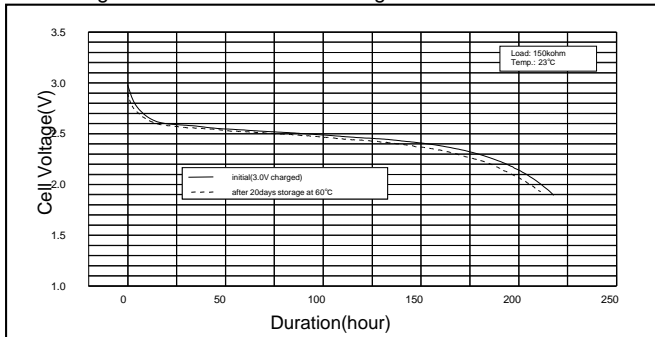
#### Charge Characteristics



#### Temperature Discharge Characteristics



#### Discharge Characteristics after Storage



#### Discharge Characteristics after Continuous Charge

