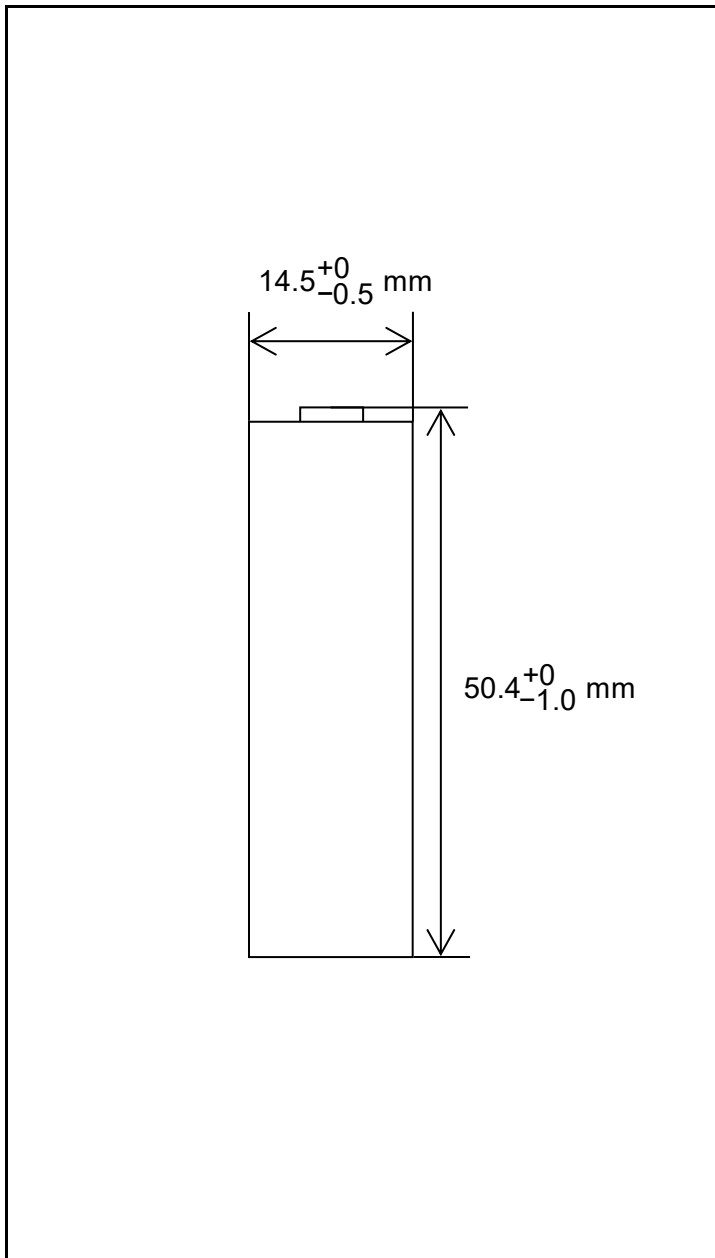


Data sheet

Dimensions



Dimensions (including tube)	Diameter	14.5 +0 / -0.5 mm
	Height	50.4 +0 / -1.0 mm
Approx. Weight (including tube)		32 g
Approx. Internal Impedance at 1kHz 20 °C 5)		25 mΩ

5) After 3 cycles of charge and discharge under the conditions of 1), followed by the measurement 1~4 hours later.

Capacity

Nominal 1)	2620 mAh
Minimum 1)	2500 mAh

1) Single cell capacity under the following condition.
Charge : 250 mA × 16 hours, Discharge : 500 mA(E.V.=1.00 V) at 20 °C

General Specifications

Nominal Voltage		1.2 V	
End Voltage		1.00 V	
Charging Current x Time	Fast Charge 2)	2620 mA x about 1.1 hours	
Ambient Temp.	Charge Condition 3)	Fast Charge 2)	0 °C ~ +40 °C
	Discharge Condition 3)	Recommended	0 °C ~ +50 °C
Relative Humidity 4)		45 % ~ 85 %	

2) Use recommended charging system.

3) Charge or discharge on outside the recommended temperature range may generate the battery degradation.

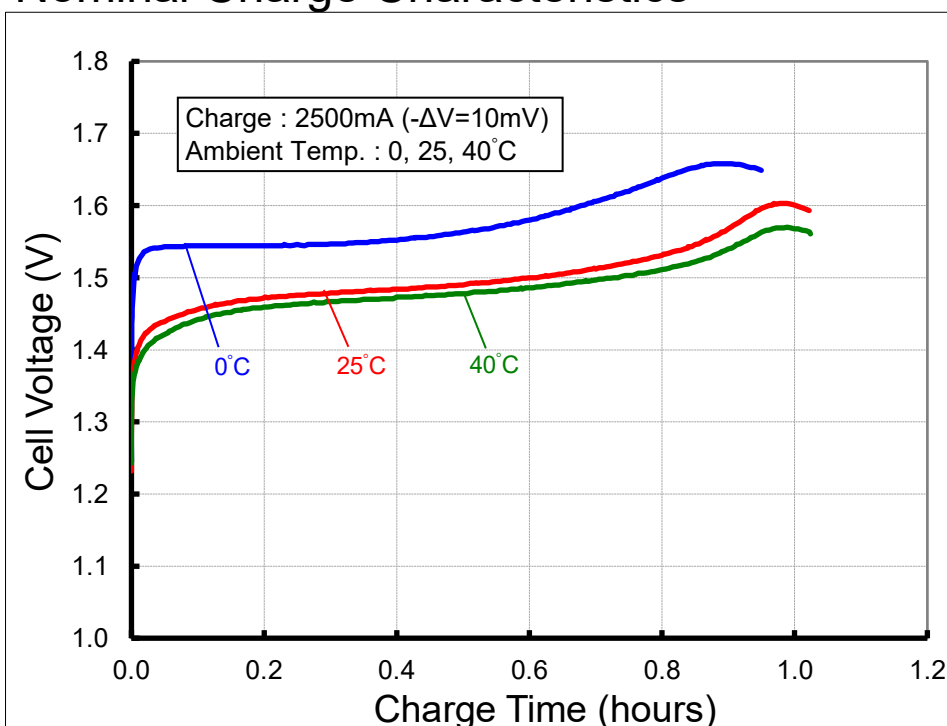
4) No water condensation.

Storage Conditions

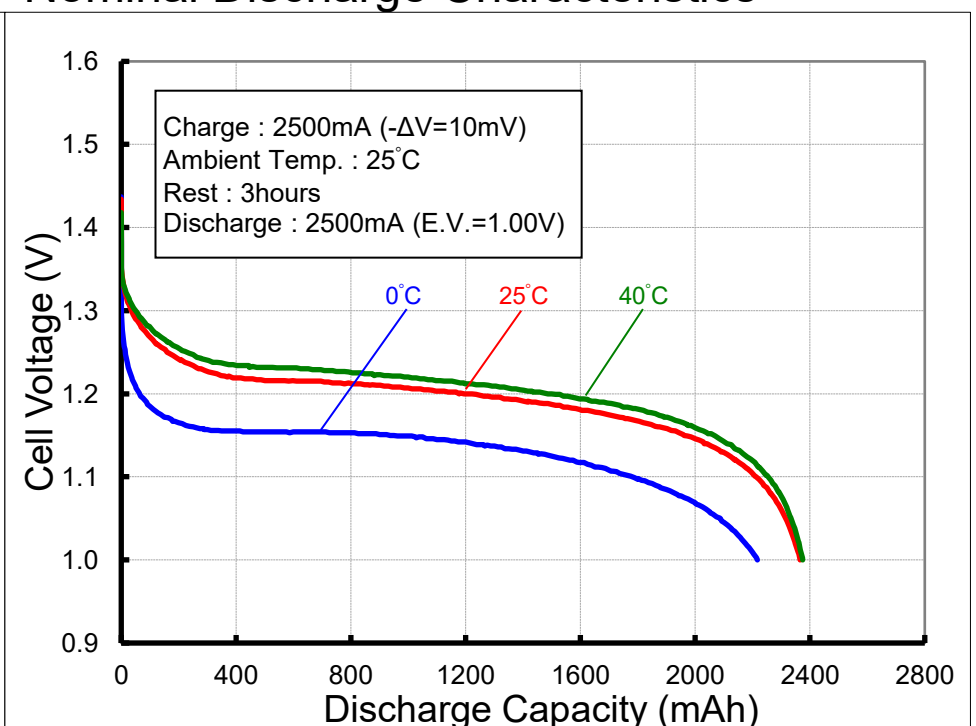
Ambient Temp.	Less than 90 days	-20 °C ~ +40 °C
	Less than 1 year	-20 °C ~ +30 °C
Relative Humidity 6)		45 % ~ 85 %

6) No water condensation.

Nominal Charge Characteristics



Nominal Discharge Characteristics



- Single cell performance and lifespan are greatly affected by usage and temperature conditions.
- Test results vary depending on individual cells.
- Each values included in this material are intended to describe performance. They are not guaranteed.