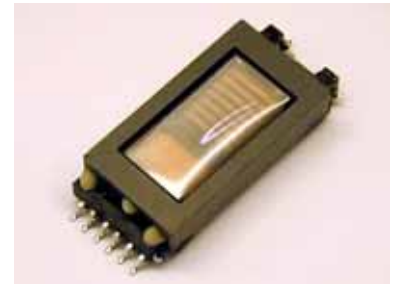


# T-1437A SMT14mm-width type

<IC drive type>

## Features

- Slim, low-profile design (7.5mm max.) and high power.
- Supports reflow soldering. (Supports Pb free soldering)
- Supports automatic mounting. (Tray type)
- Secondary Double-Pin. (Fail-safe)
- High efficiency possible by using separate excitation IC.



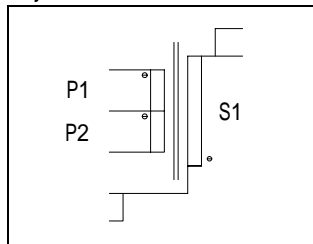
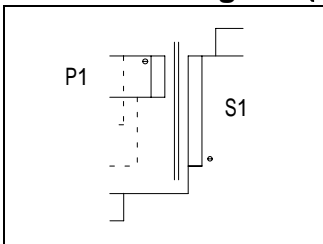
## Applications

- LCD monitor (up to 42inches)
- LCD TV (up to 42inches)

## Electric characteristics

Part No.	Max output power (W)	Frequency (KHz)	Max output Voltage (Vo-p)	Output open Voltage (Vo-p)	Withstand Voltage (AC60Hz) (Vrms)	
					Pri.-sec.	Sec.-core
CD-T-1437A	10(15) <*1>	30 ~ 200	2300 <*2>	3200 <*3>	500	500

## Connection diagram (Example)



Standard GAP (3kinds)	
GAP(mm)	AL(nH/N <sup>2</sup> )
NON	-
0.10	165
0.15	135
0.20	120

Ae=20mm<sup>2</sup>

## Notice

To match your exact needs, please contact us for information on T-1437A customization.  
The T-1437A cannot be used in a floating type circuit.

Be sure to ground the No.5,6 pin. Pin5-6and7-8 are connected inside the bobbin.

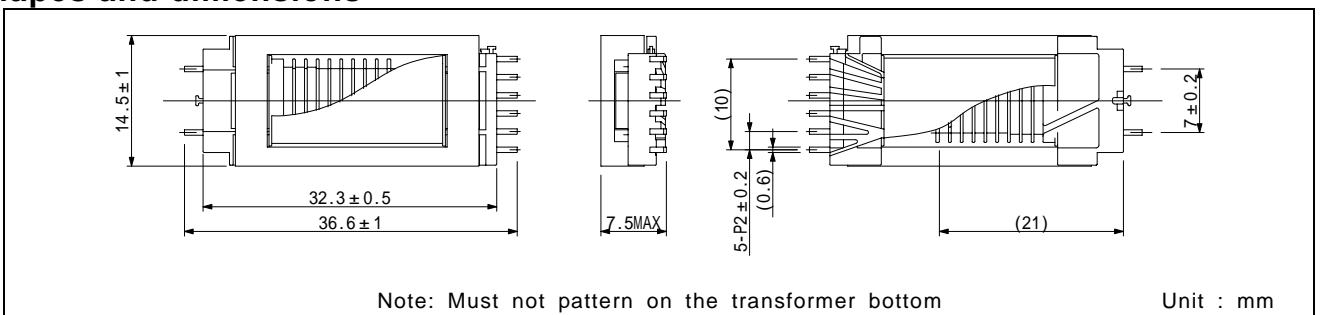
\*1 Max output power and efficiency vary according to operating conditions.

(Up to 15W according to operating conditions)

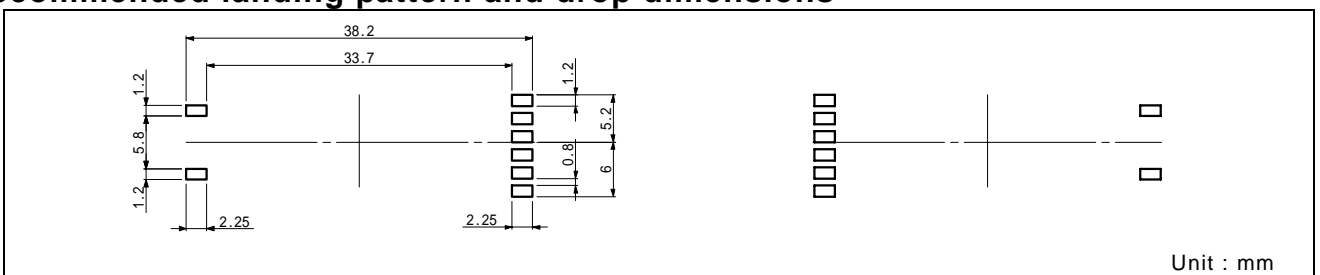
\*2 It varies according to the number of winding turns.

\*3 It is within 3sec or less and varies according to the number of winding turns.

## Shapes and dimensions



## Recommended landing pattern and drop dimensions



The specification is foresight and changes occasionally.