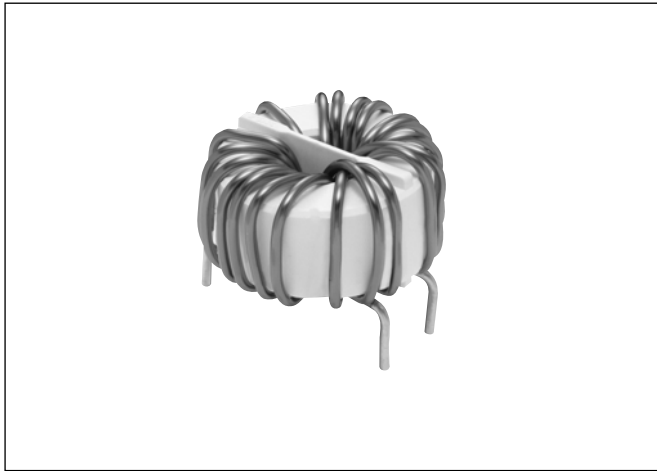


Common mode noise suppression coils NF-KR series



Features

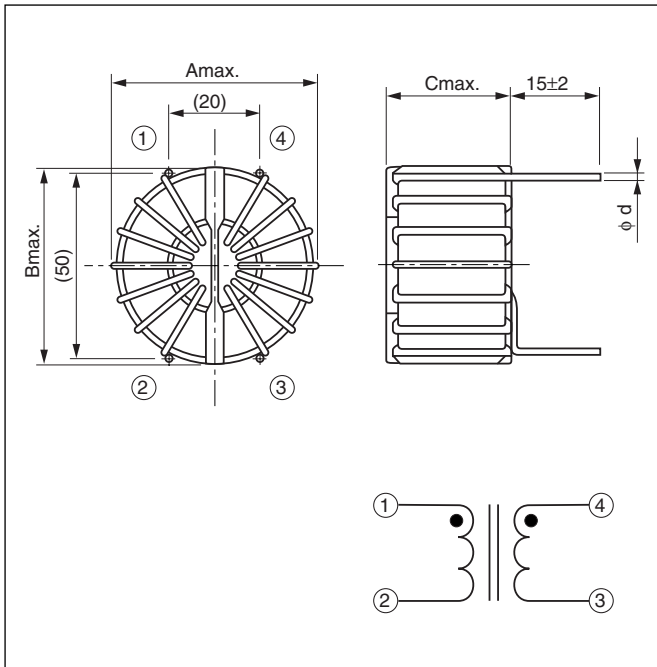
- Large current use and general-purpose

Applications

- Large computers
- NC machines, inverter, air conditioners
- Various electronic equipment

Shapes and dimensions

Unit: mm



Specifications

Rated voltage	AC250V
Withstand voltage	AC2000V, 1 min.
Insulation resistance	DC500V 100MΩmin.
Operating temperature	-25°C ~ +105°C (including self-temperature rise)

Standard models

Model No.	Rated current [A]	Inductance [mH] min. (1kHz, 20°C)	DC resistance [mΩ] max.
NF20KR102	20	1.0	5
NF30KR102	30	1.0	4

Model No.	Amax.	Bmax.	Cmax.	φ d
NF20KR102	66	66	42	2.3
NF30KR102	68	68	45	2.6

Impedance characteristics

