

Core-shaped radiation noise suppressors RN603620MD



Features

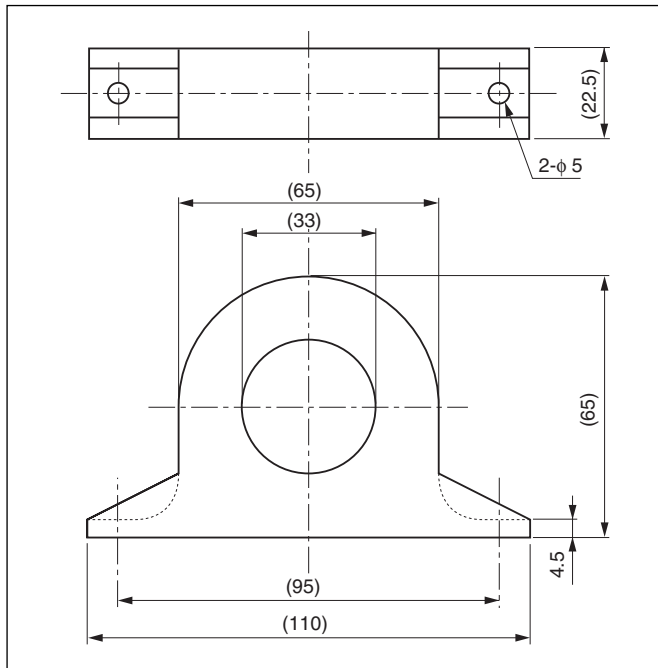
- Suppression of large current radiation noise

Applications

- NC machines
- General inverters
- Industrial equipment

Shapes and dimensions

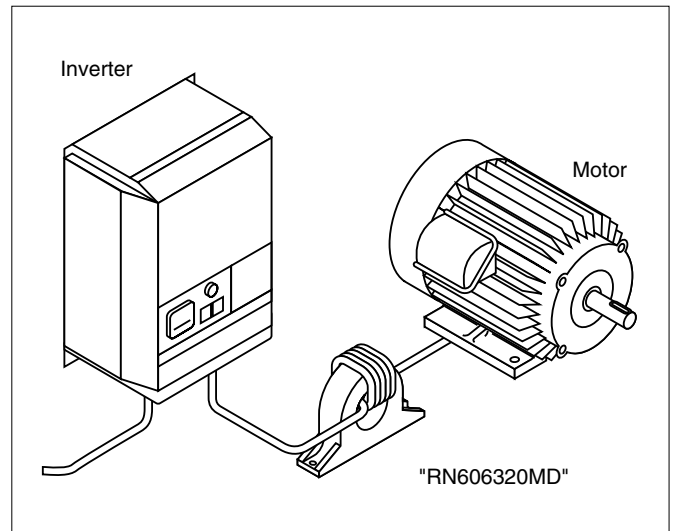
Unit: mm



Specifications

Operating temperature	-25°C ~ +85°C
-----------------------	---------------

Example of usage



Noise attenuation characteristics (10-turn winding)

