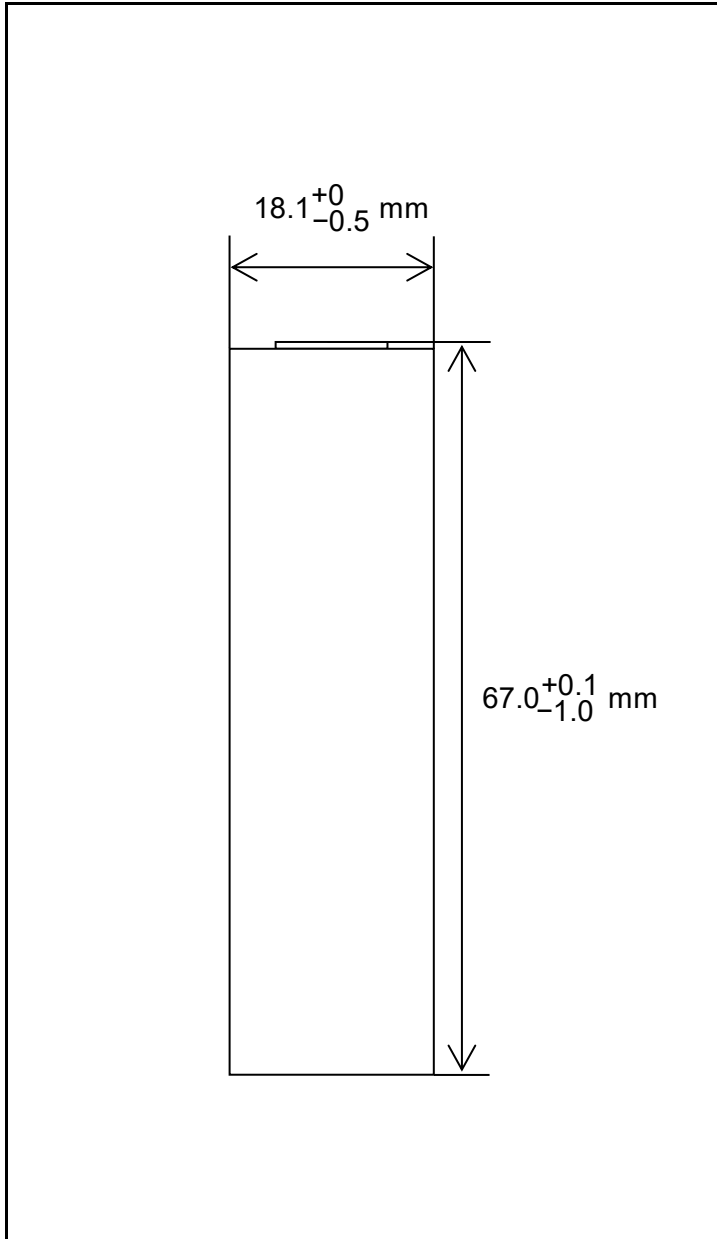


### Data sheet

#### Dimensions



Dimensions (including tube)	Diameter	18.1 +0 / -0.5 mm
	Height	67.0 +0.1 / -1.0 mm
Approx. Weight (including tube)		59 g
Approx. Internal Impedance at 1kHz 20 °C 5)		7 mΩ

5) After 3 cycles of charge and discharge under the conditions of 1), followed by the measurement 1~4 hours later.

#### Capacity

Nominal 1)	4000 mAh
Minimum 1)	3750 mAh

1) Single cell capacity under the following condition.  
 Charge : 375 mA × 16 hours, Discharge : 750 mA (E.V.=1.00 V) at 20 °C

#### General Specifications

Nominal Voltage		1.2 V	
End Voltage		1.00 V	
Charging Current x Time	Fast Charge 2)	4000 mA x about 1.1 hours	
Ambient Temp.	Charge Condition 3)	Fast Charge 2)	0 °C ~ +40 °C
	Discharge Condition 3)	Recommended	0 °C ~ +50 °C
Relative Humidity 4)		45 % ~ 85 %	

2) Use recommended charging system.

3) Charge or discharge on outside the recommended temperature range may generate the battery degradation.

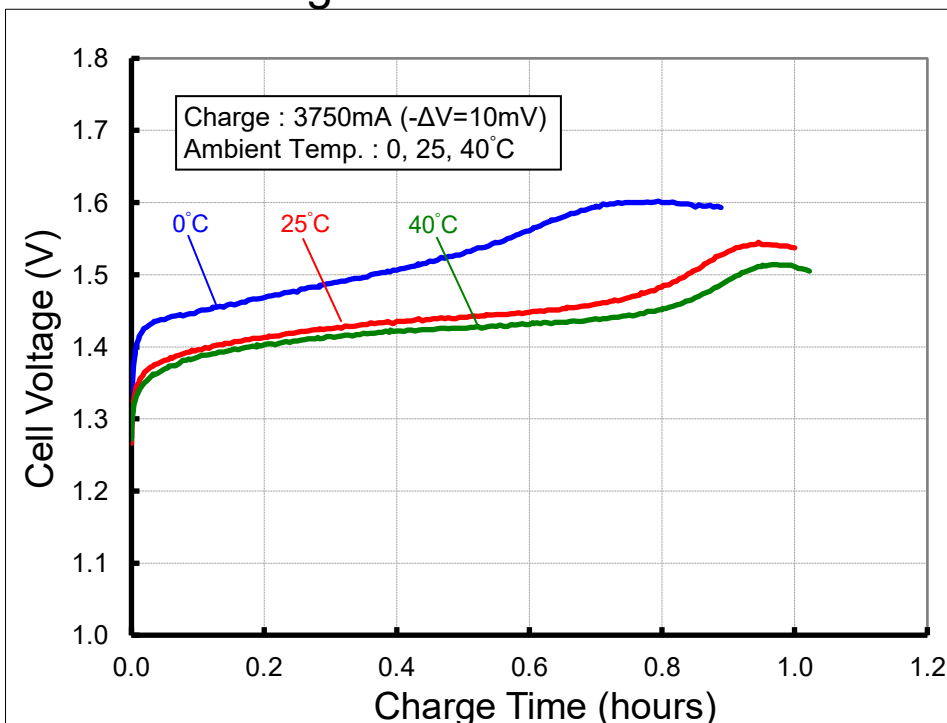
4) No water condensation.

#### Storage Conditions

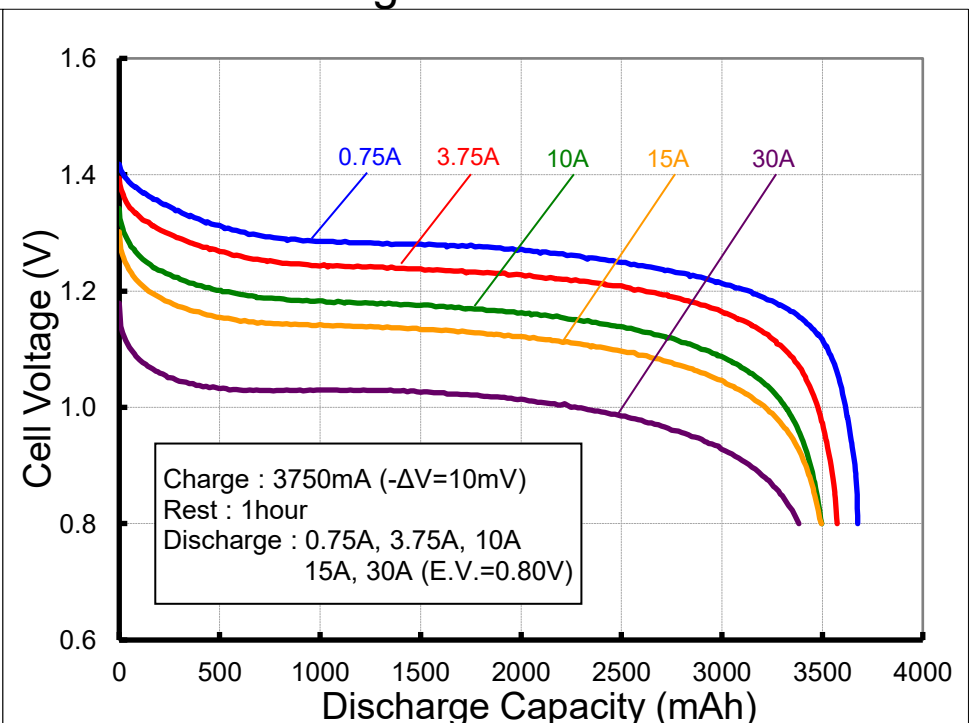
Ambient Temp.	Less than 30 days	-20 °C ~ +50 °C
	Less than 90 days	-20 °C ~ +40 °C
	Less than 1 year	-20 °C ~ +30 °C
Relative Humidity 6)		45 % ~ 85 %

6) No water condensation.

#### Nominal Charge Characteristics



#### Nominal Discharge Characteristics



- Single cell performance and lifespan are greatly affected by usage and temperature conditions.
- Test results vary depending on individual cells.
- Each values included in this material are intended to describe performance. They are not guaranteed.