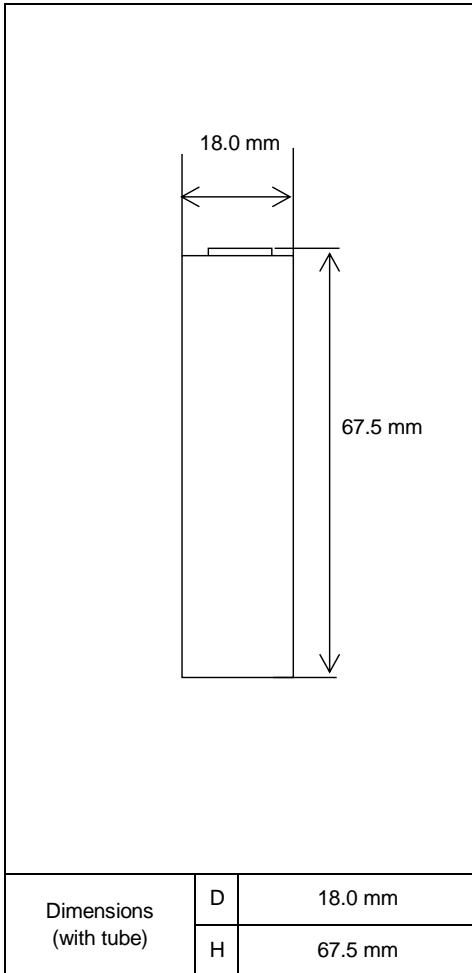


For In-Vehicle Applications

Specifications



| | | | |
|--|-----------------------------------|---------------------------|----------------|
| Type : Nickel-Metal Hydride Battery | | Size : 4/3FA | |
| Capacity ¹⁾ | Typical | 3700mAh | |
| | Minimum | 3500mAh | |
| Nominal Voltage | | 1.2V | |
| Charging Current x Time | Fast Charge ²⁾ | 3000 mA x about 1.4h | |
| Ambient Temp. | Charge Condition | Fast Charge ²⁾ | |
| | Discharge Condition ³⁾ | Recommended | 0°C ~ +50°C |
| | | Possible ⁴⁾ | -20°C ~ + 85°C |
| | Storage Condition | Less than 30days | -20°C ~ +50°C |
| Less than 90days | | -20°C ~ +40°C | |
| Less than 1year | | -20°C ~ +30°C | |
| Internal Impedance ⁵⁾ (after discharge to E.V.=1.0V) | | Approx. 18mΩ(at 1000Hz) | |
| Weight ⁶⁾ | | Approx. 58 g | |
| Size ⁶⁾ : (Diameter) x (Height) | | 18.0(D) x 67.5(H) mm | |

1) Single cell capacity under the following condition.

Charge : 370mA x 16h, Discharge : 740mA (E.V.=1.0V) at 20°C

2) Use recommended charging system.

3) Battery capacity and life may be reduced at extreme temperatures.

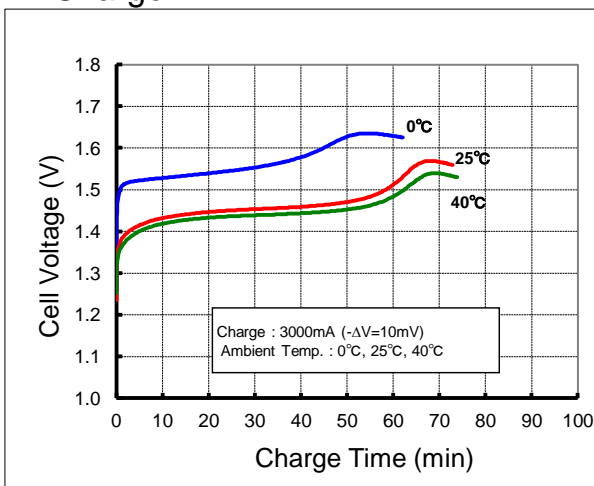
4) Only low rate discharge at low temperatures.

5) After a few charge and discharge cycles under the above 1) condition.

6) With tube.

Typical Characteristics

Charge



Discharge

