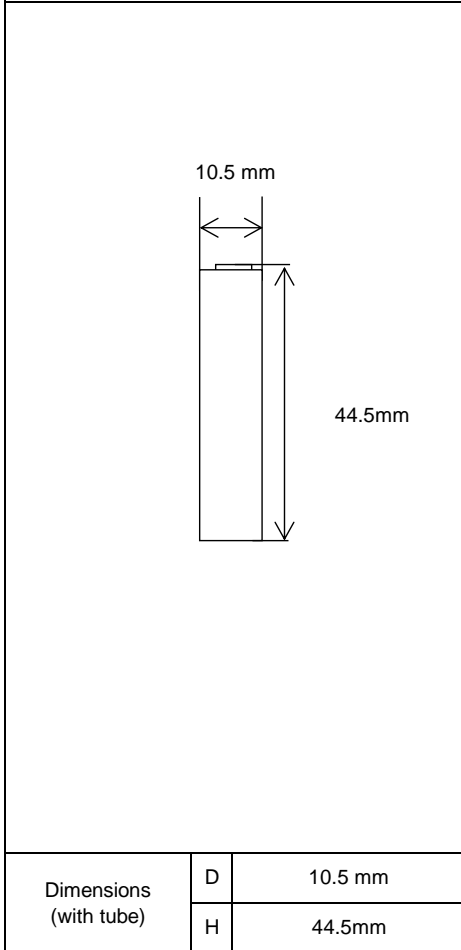


For In-Vehicle Applications

### Specifications

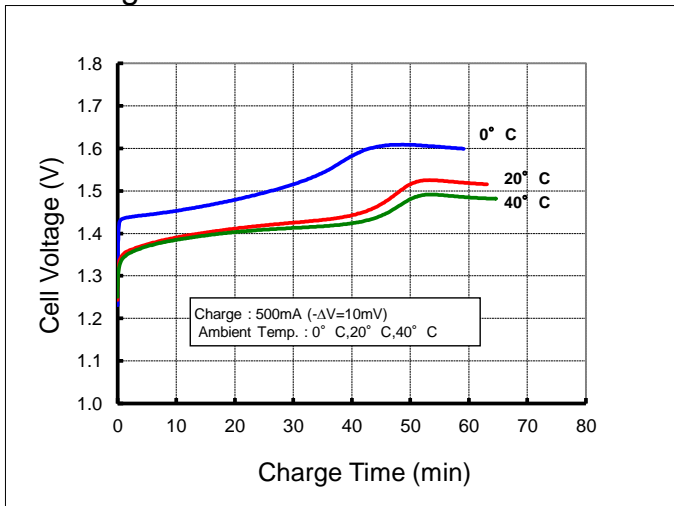


Type : Nickel-Metal Hydride Battery		Size : AAA
Capacity <sup>1)</sup>	Typical	500mAh
	Minimum	460mAh
Nominal Voltage		1.2V
Charging Current x Time	Fast Charge <sup>2)</sup>	500 mA x about 1.1h
Ambient Temp.	Charge Condition	Fast Charge <sup>2)</sup> 0°C ~ +40°C
	Discharge Condition <sup>3)</sup>	Recommended 0°C ~ +50°C
Possible <sup>4)</sup>		-20°C ~ + 85°C
Storage Condition	Less than 30days	-20°C ~ +50°C
	Less than 90days	-20°C ~ +40°C
	Less than 1year	-20°C ~ +30°C
Internal Impedance <sup>5)</sup> (after discharge to E.V.=1.0V)		Approx. 30mΩ (at 1000Hz)
Weight <sup>6)</sup>		Approx. 13 g
Size <sup>6)</sup> : (Diameter) x (Height)		10.5(D) x 44.5(H) mm

- 1) Single cell capacity under the following condition.  
Charge : 50mA x 16h, Discharge : 100mA (E.V.=1.0V) at 20°C
- 2) Use recommended charging system.
- 3) Battery capacity and life may be reduced at extreme temperatures.
- 4) Only low rate discharge at low temperatures.
- 5) After a few charge and discharge cycles under the above 1) condition.
- 6) With tube.

### Typical Characteristics

#### Charge



#### Discharge

