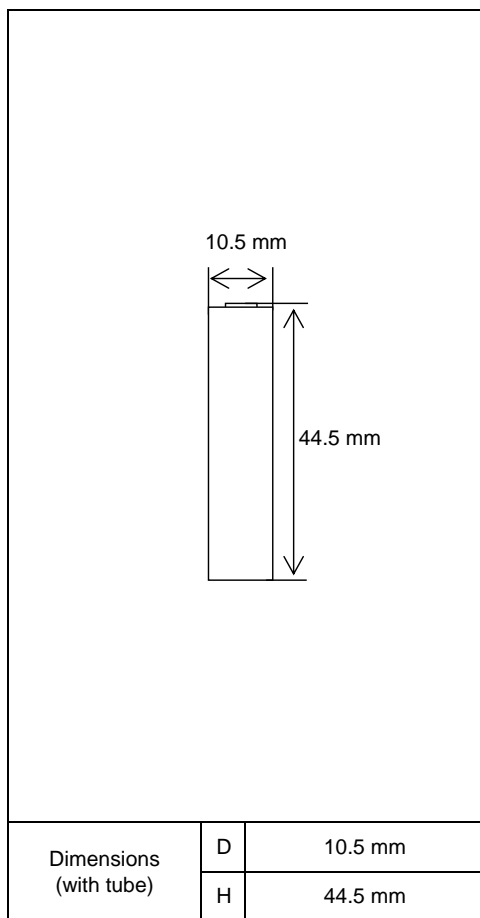


For In-Vehicle Applications

Specifications

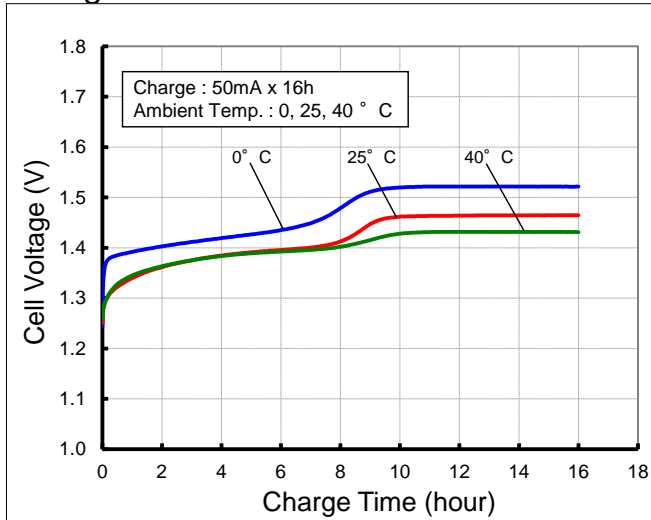


Type : Nickel-Metal Hydride Battery		Size : AAA
Capacity ¹⁾	Typical	500 mAh
	Minimum	460 mAh
Nominal Voltage		1.2 V
Charging Current x Time	Fast Charge ²⁾	500 mA x about 1.1 h
Ambient Temp.	Charge Condition	Fast Charge ²⁾ 0 °C ~ +40 °C
	Discharge Condition ³⁾	Recommended 0 °C ~ +50 °C
		Possible ⁴⁾ -40 °C ~ +85 °C
	Storage Condition	Less than 30days
Less than 90days		-20 °C ~ +40 °C
Less than 1year		-20 °C ~ +30 °C
Internal Impedance ⁵⁾ (after discharge to E.V.=1.0V)		Approx. 25 mΩ(at 1000Hz)
Weight ⁶⁾		Approx. 13 g
Size ⁶⁾ : (Diameter) x (Height)		10.5 (D) x 44.5 (H) mm

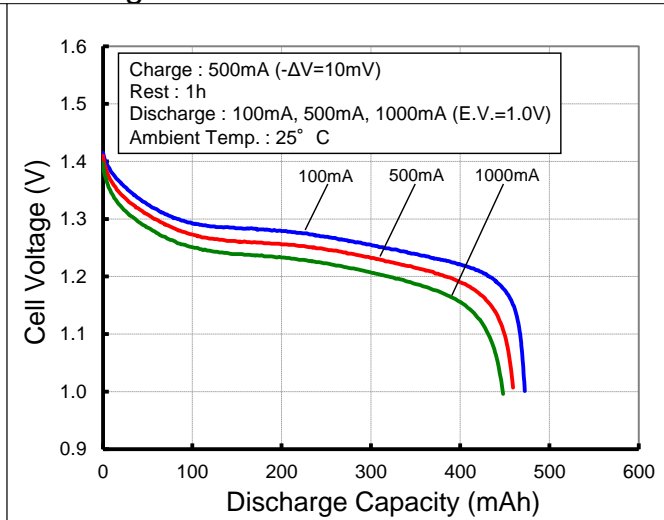
- 1) Single cell capacity under the following condition.
Charge : 50 mA x 16 h, Discharge : 100 mA (E.V.=1.0 V) at 20 °C
- 2) Use recommended charging system.
- 3) Battery capacity and life may be reduced at extreme temperatures.
- 4) Only low rate discharge at low temperatures.
- 5) After a few charge and discharge cycles under the above 1) condition.
- 6) With tube.

Typical Characteristics

Charge



Discharge



YAH