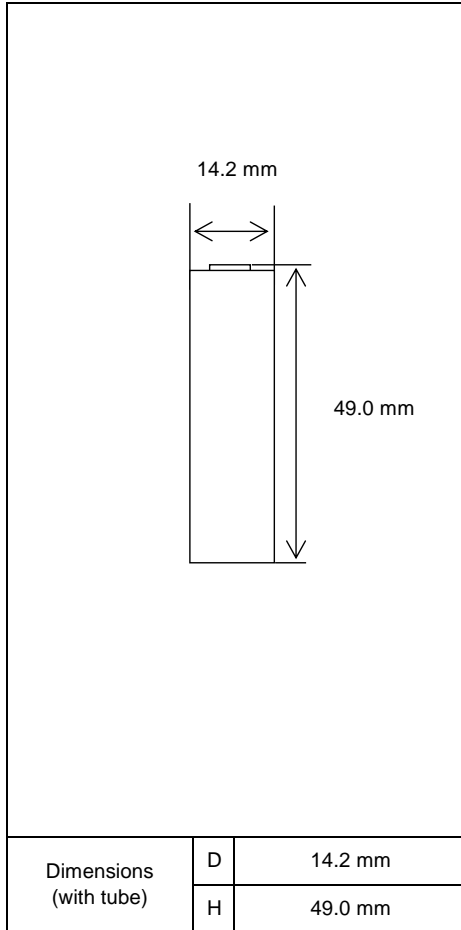


For In-Vehicle Applications

Specifications

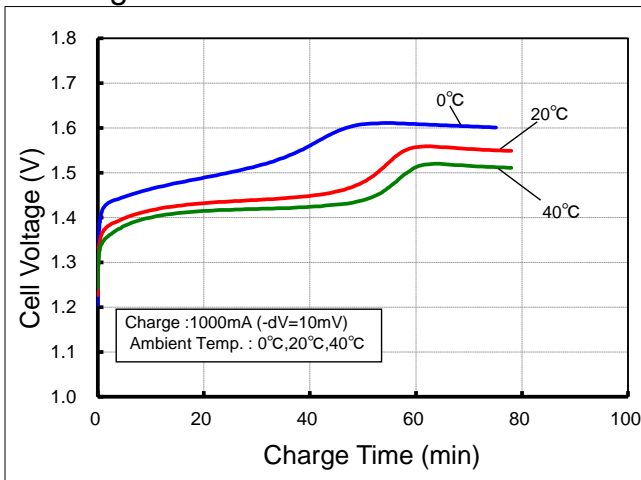


Type : Nickel-Metal Hydride Battery		Size : AA	
Capacity ¹⁾	Typical	1050mAh	
	Minimum	1000mAh	
Nominal Voltage		1.2V	
Charging Current x Time	Fast Charge ²⁾	1050 mA x about 1.1h	
Ambient Temp.	Charge Condition	Fast Charge ²⁾	
	Discharge Condition ³⁾	Recommended	0°C ~ +50°C
		Possible ⁴⁾	-20°C ~ + 85°C
Storage Condition	Less than 30days	-20°C ~ +50°C	
	Less than 90days	-20°C ~ +40°C	
	Less than 1year	-20°C ~ +30°C	
Internal Impedance ⁵⁾ (after discharge to E.V.=1.0V)		Approx. 15mΩ(at 1000Hz)	
Weight ⁶⁾		Approx. 25 g	
Size ⁶⁾ : (Diameter) x (Height)		14.2(D) x 49.0(H) mm	

- 1) Single cell capacity under the following condition.
Charge : 105mA x 16h, Discharge : 210mA (E.V.=1.0V) at 20°C
- 2) Use recommended charging system.
- 3) Battery capacity and life may be reduced at extreme temperatures.
- 4) Only low rate discharge at low temperatures.
- 5) After a few charge and discharge cycles under the above 1) condition.
- 6) With tube.

Typical Characteristics

Charge



Discharge

