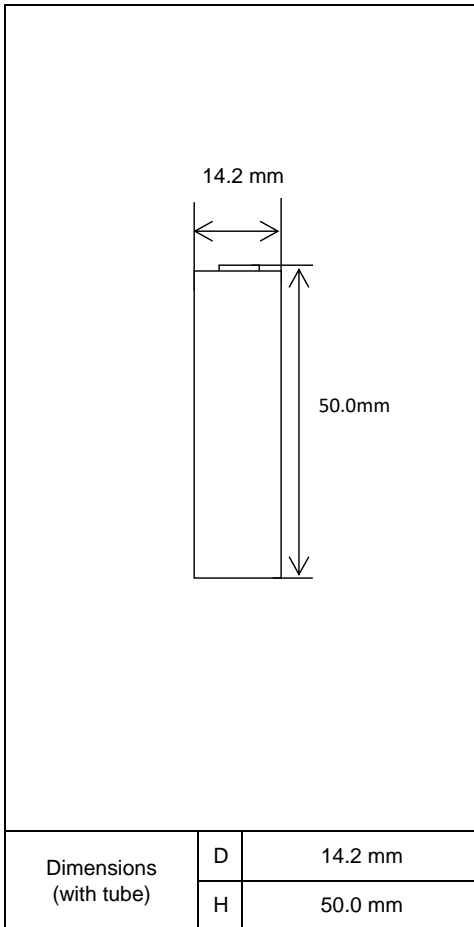


For In-Vehicle Applications

Specifications

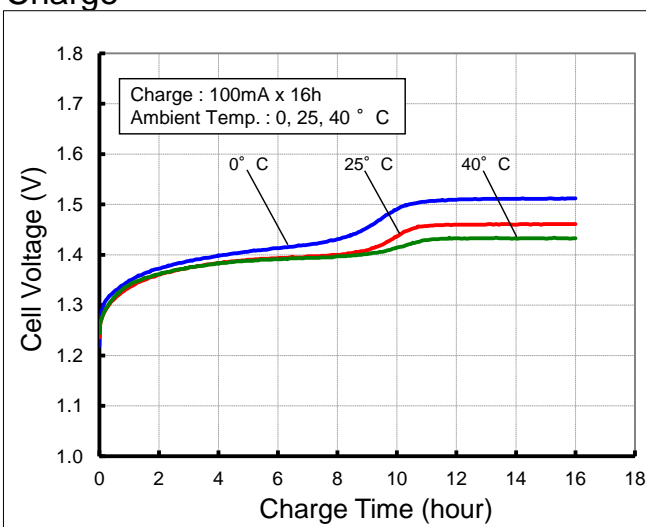


Type : Nickel-Metal Hydride Battery		Size : AA	
Capacity ¹⁾	Typical	1100 mAh	
	Minimum	1000 mAh	
Nominal Voltage		1.2 V	
Charging Current x Time	Fast Charge ²⁾	1100 mA x about 1.1 h	
Ambient Temp.	Charge Condition	Fast Charge ²⁾	
	Discharge Condition ³⁾	Recommended	0 °C ~ +40 °C
		Possible ⁴⁾	0 °C ~ +50 °C
	Storage Condition	Less than 30days	-40 °C ~ +85 °C
Less than 90days		-20 °C ~ +50 °C	
Less than 1year		-20 °C ~ +40 °C	
Internal Impedance ⁵⁾ (after discharge to E.V.=1.0V)		Approx. 15 mΩ(at 1000Hz)	
Weight ⁶⁾		Approx. 27 g	
Size ⁶⁾ : (Diameter) x (Height)		14.2 (D) x 50.0 (H) mm	

- 1) Single cell capacity under the following condition.
Charge : 110 mA × 16 h, Discharge : 220 mA (E.V.=1.0 V) at 20 °C
- 2) Use recommended charging system.
- 3) Battery capacity and life may be reduced at extreme temperatures.
- 4) Only low rate discharge at low temperatures.
- 5) After a few charge and discharge cycles under the above 1) condition.
- 6) With tube.

Typical Characteristics

Charge



Discharge

